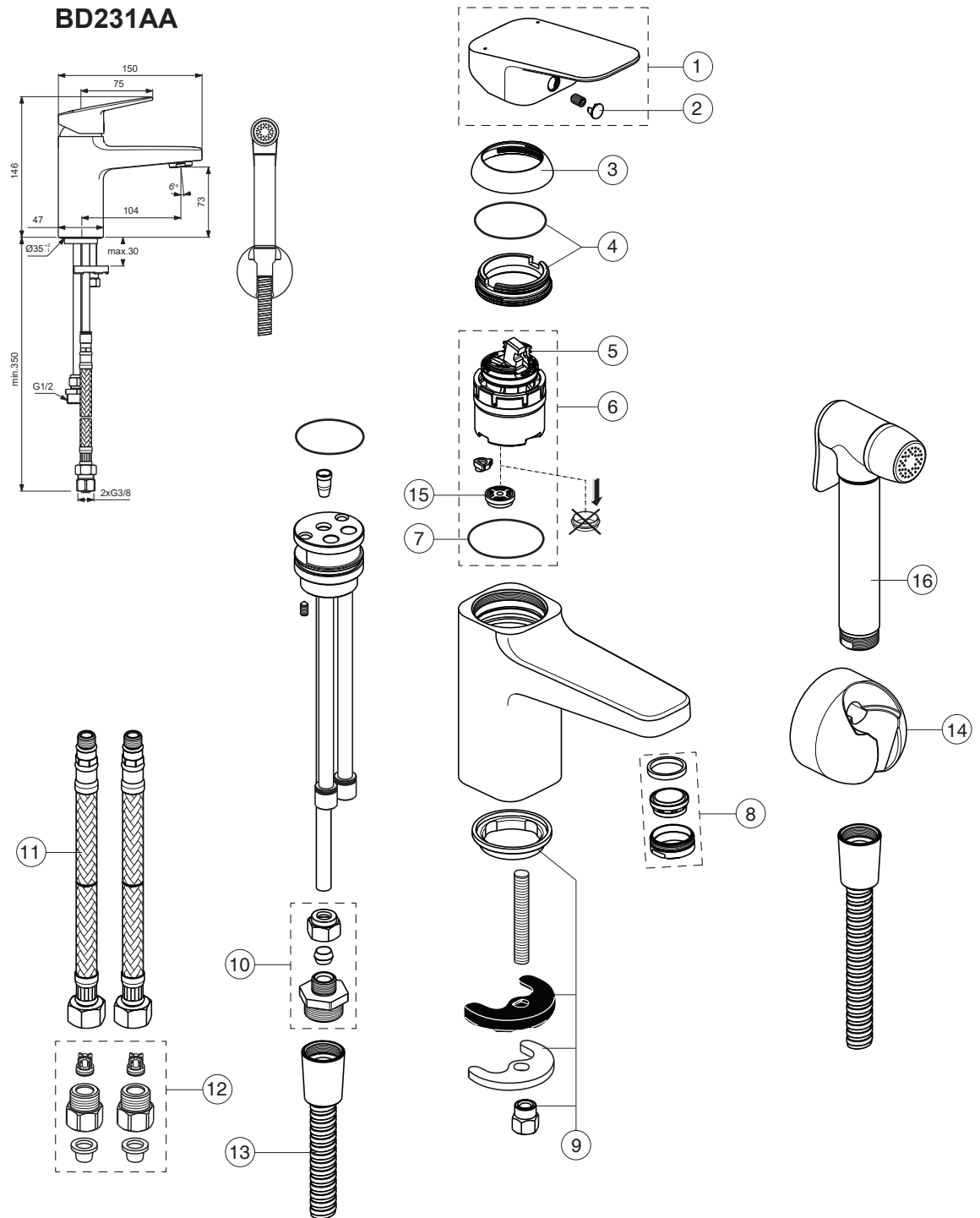




CERAPLAN

Ideal Standard



| Pos. | Signify | Spare parts-Nr. | Quantity | Pos. | Signify | Spare parts-Nr. | Quantity |
|------|---------------------------|-----------------|----------|------|----------------------|-----------------|----------|
| 1 | Lever, w/logo | B961716AA | 1 Set | 15 | Flow limiter 5 l/min | B961434NU | 1 Pcs. |
| 2 | Cap decorative | B960473AA | 1 Pcs. | 16 | Hygienic hand-spray | B961788AA | 1 Pcs. |
| 3 | Rosette M38x1.5 | B961438AA | 1 Pcs. | | | | |
| 4 | Screw M4x1.5/M38x1.5 | B961374NU | 1 Set | | | | |
| 5 | Hot limit stop | A861181NU | 1 Pcs. | | | | |
| 6 | Cartridge Ø38mm | A861156NU* | 1 Pcs. | | | | |
| 7 | O-Ring Ø38x2.5 | E960059NU* | 1 Set | | | | |
| 8 | Perlator M24x1-A - 5l/min | B961383AA | 1 Pcs. | | | | |
| 9 | Connecting set | A964520NU | 1 Set | | | | |
| 10 | Connecting group | F960469AA | 1 Set | | | | |
| 11 | Fl.hose G3/8;L445mm | A963600NU | 1 Pcs. | | | | |
| 12 | Non-return valve-compl. | B960844NU | 1 Set | | | | |
| 13 | Shower hose L1350mm | A1516AA | 1 Pcs. | | | | |
| 14 | Wall bracket fixed | B9467AA | 1 Pcs. | | | | |

*Universal set (not all parts needed)

12.2021