

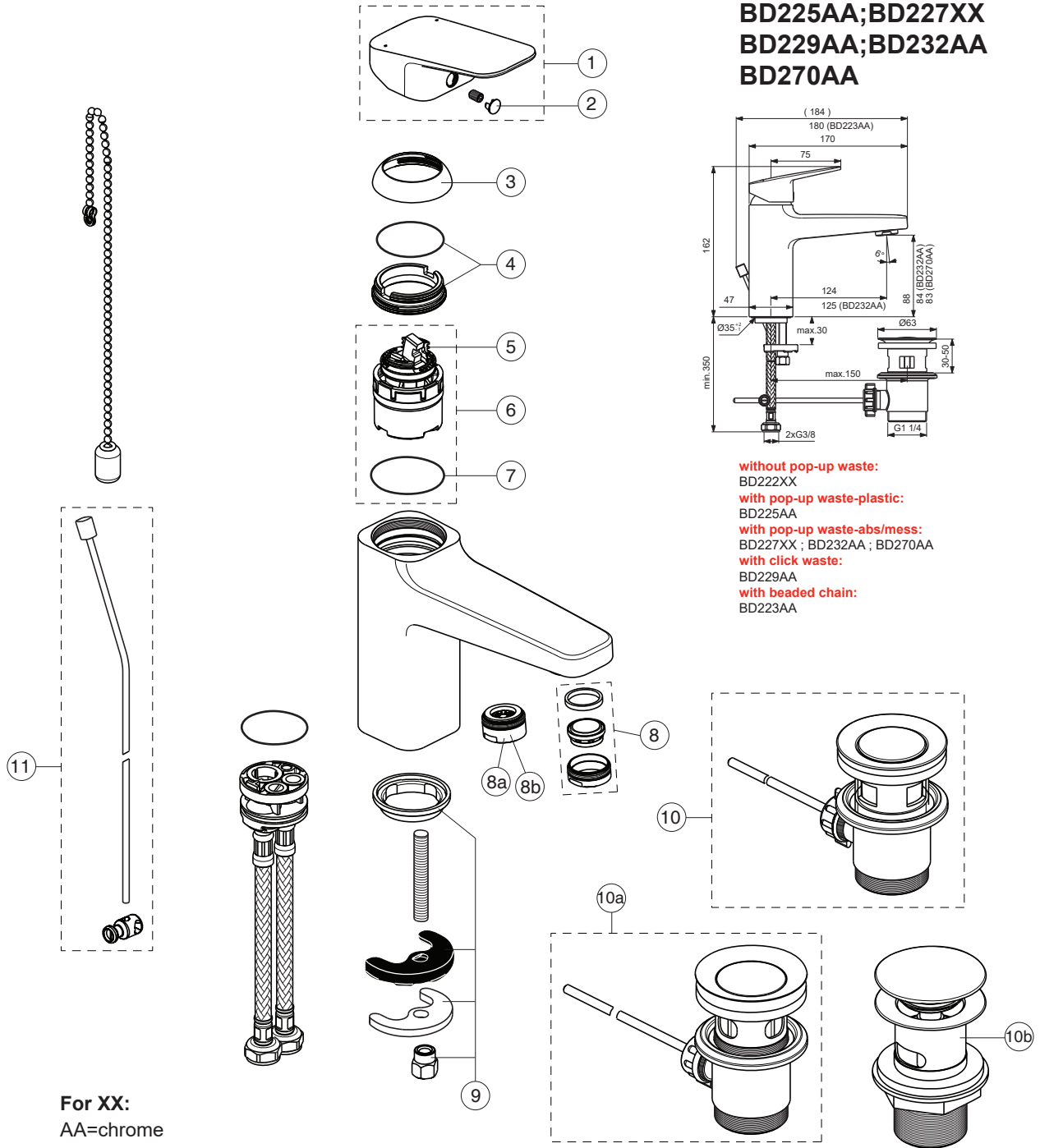


CERAPLAN

Ideal Standard

Produced from: Jan.2024

**BD222XX;BD223AA**  
**BD225AA;BD227XX**  
**BD229AA;BD232AA**  
**BD270AA**



**without pop-up waste:**  
 BD222XX  
**with pop-up waste-plastic:**  
 BD225AA  
**with pop-up waste-abs/mess:**  
 BD227XX ; BD232AA ; BD270AA  
**with click waste:**  
 BD229AA  
**with beaded chain:**  
 BD223AA

**For XX:**  
 AA=chrome  
 XG=silk black

Pos.	Signify	Spare parts-Nr.	Quantity	Pos.	Signify	Spare parts-Nr.	Quantity
1	Lever,w/logo	B961716XX	1 Set	10b	Click waste slotted	S8803XX	1 Pcs.
2	Cap decorative	B960473AA	1 Pcs.	10b	Click waste plastic	B961705XX	1 Pcs.
3	Rosette M38x1.5	B961438XX	1 Pcs.	11	Pull-up rod-compl.	B961119AA	1 Set
4	Screw M4x1.5/M38x1.5	B961374NU	1 Set				
5	Hot limit stop	A861181NU	1 Pcs.				
6	Cartridge Ø38mm	A861156NU*	1 Pcs.				
7	O-Ring Ø38x2.5	E960059NU*	1 Set				
8	Perlator M24x1-A-5L/min	B961383XX	1 Pcs.				
	Perlator M24x1-3.8 L/min	B961946XX****	1 Pcs.				
8a	Casc.perlator M24x1-A	A960321XX**	1 Pcs.				
8b	Nozzle	A961625XX***	1 Pcs.				
9	Connecting set	A964520NU	1 Set				
10	Pop-up waste-plastic	B964550XX	1 Pcs.				
10a	Pop-up drain ass.	A962991XX	1 Pcs.				

\*\* for BD270AA    \*\*\*for BD232AA    \*\*\*\*for BD229AA

\*Universal set (not all parts needed)

12.2023

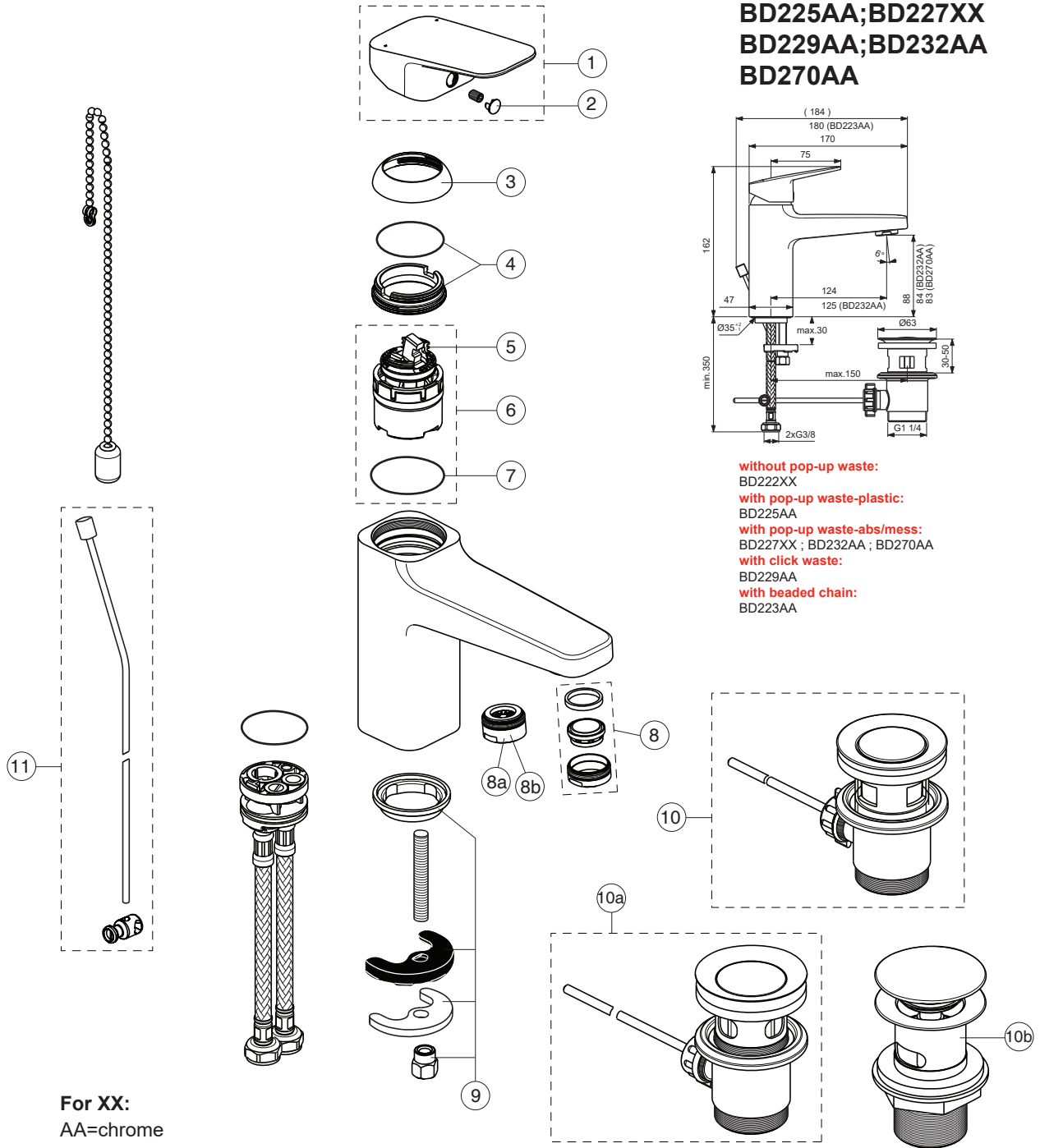


CERAPLAN

Ideal Standard

Produced from: Sept.2023

**BD222XX;BD223AA**  
**BD225AA;BD227XX**  
**BD229AA;BD232AA**  
**BD270AA**



**without pop-up waste:**  
 BD222XX  
**with pop-up waste-plastic:**  
 BD225AA  
**with pop-up waste-abs/mess:**  
 BD227XX ; BD232AA ; BD270AA  
**with click waste:**  
 BD229AA  
**with beaded chain:**  
 BD223AA

**For XX:**  
 AA=chrome  
 XG=silk black

Pos.	Signify	Spare parts-Nr.	Quantity	Pos.	Signify	Spare parts-Nr.	Quantity
1	Lever,w/logo	B961716XX	1 Set	10b	Click waste plastic	B961705XX	1 Pcs.
2	Cap decorative	B960473AA	1 Pcs.	11	Pull-up rod-compl.	B961119AA	1 Set
3	Rosette M38x1.5	B961438XX	1 Pcs.				
4	Screw M41x1.5/M38x1.5	B961374NU	1 Set				
5	Hot limit stop	A861181NU	1 Pcs.				
6	Cartridge Ø38mm	A861156NU*	1 Pcs.				
7	O-Ring Ø38x2.5	E960059NU*	1 Set				
8	Perlator M24x1-A - 5l/min	B961383XX	1 Pcs.				
8a	Casc.perlator M24x1-A	A960321XX**	1 Pcs.				
8b	Nozzle	A961625XX***	1 Pcs.				
9	Connecting set	A964520NU	1 Set				
10	Pop-up waste-plastic	B964550XX	1 Pcs.				
10a	Pop-up drain ass.	A962991XX	1 Pcs.				
10b	Click waste slotted	S8803XX	1 Pcs.				

\*\* for BD270AA \*\*\*for BD232AA

\*Universal set (not all parts needed)

09.2023

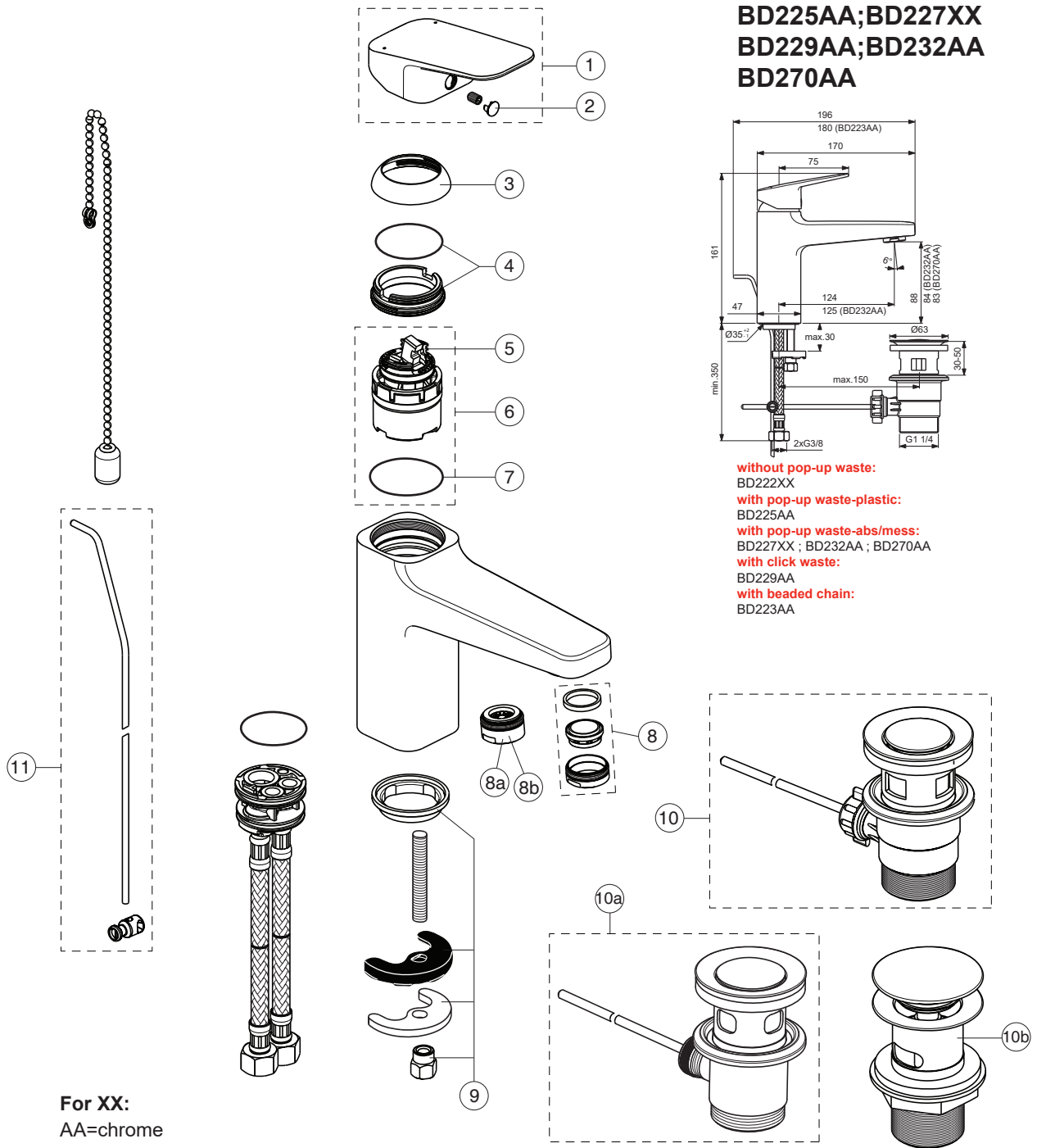


CERAPLAN

Ideal Standard

Produced from: Aug.2022

**BD222XX;BD223AA**  
**BD225AA;BD227XX**  
**BD229AA;BD232AA**  
**BD270AA**



**without pop-up waste:**  
 BD222XX  
**with pop-up waste-plastic:**  
 BD225AA  
**with pop-up waste-abs/mess:**  
 BD227XX ; BD232AA ; BD270AA  
**with click waste:**  
 BD229AA  
**with beaded chain:**  
 BD223AA

**For XX:**  
 AA=chrome  
 XG=silk black

Pos.	Signify	Spare parts-Nr.	Quantity	Pos.	Signify	Spare parts-Nr.	Quantity
1	Lever,w/logo	B961716XX	1 Set	10b	Click waste plastic	B961705XX	1 Pcs.
2	Cap decorative	B960473AA	1 Pcs.	11	Pull-up rod-compl.	B960900AA	1 Set
3	Rosette M38x1.5	B961438XX	1 Pcs.				
4	Screw M4x1.5/M38x1.5	B961374NU	1 Set				
5	Hot limit stop	A861181NU	1 Pcs.				
6	Cartridge Ø38mm	A861156NU*	1 Pcs.				
7	O-Ring Ø38x2.5	E960059NU*	1 Set				
8	Perlator M24x1-A - 5l/min	B961383XX	1 Pcs.				
8a	Casc.perlator M24x1-A	A960321XX**	1 Pcs.				
8b	Nozzle	A961625XX***	1 Pcs.				
9	Connecting set	A964520NU	1 Set				
10	Pop-up waste-plastic	B964550XX	1 Pcs.				
10a	Pop-up drain ass.	A962991XX	1 Pcs.				
10b	Click waste slotted	S8803XX	1 Pcs.				

\*\* for BD270AA \*\*\*for BD232AA

\*Universal set (not all parts needed)

08.2022