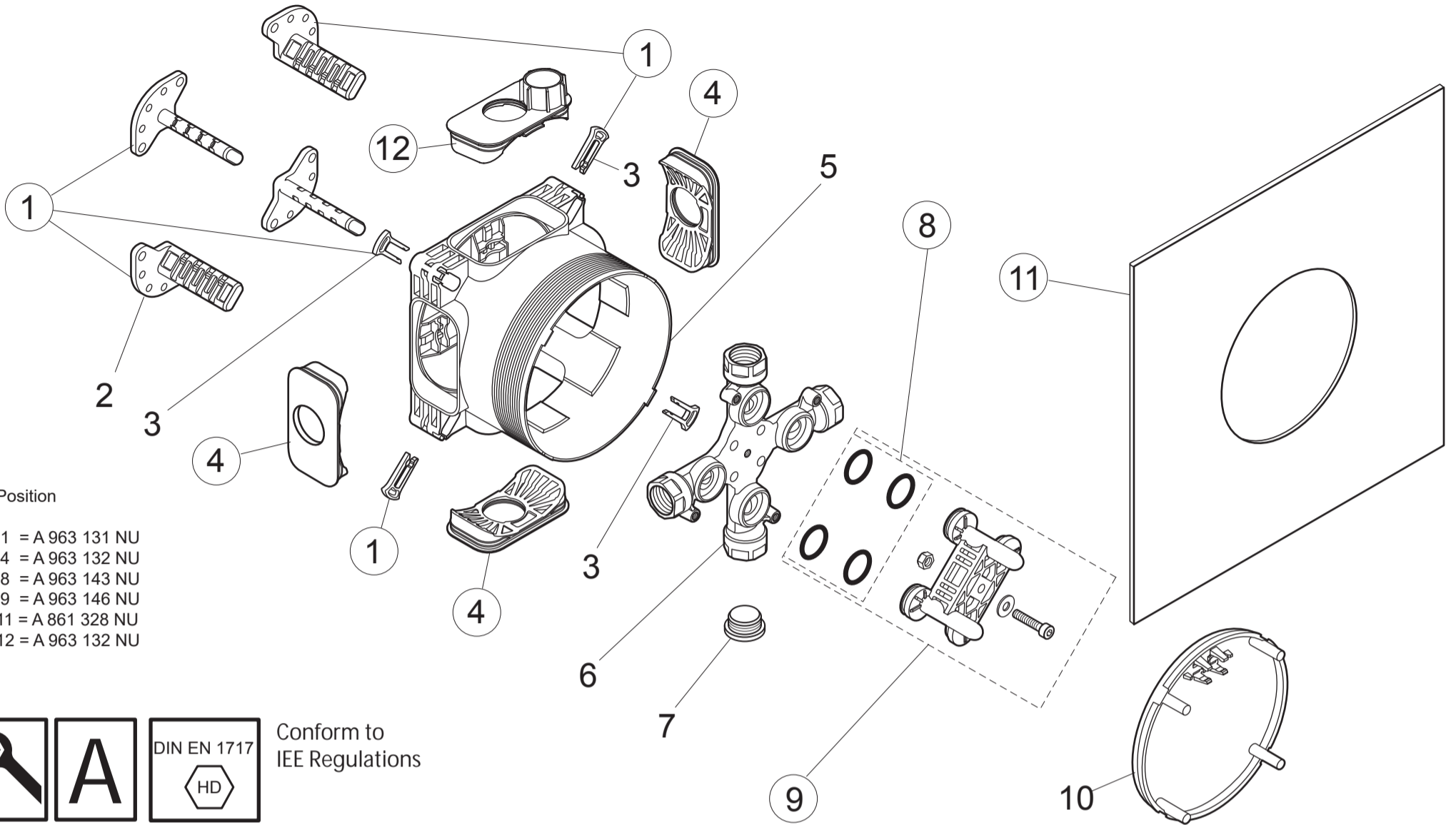




Spare Parts / Ersatzteile / Pièces de recharge / Pezzi di Ricambio / Piezas de requesto /
 Parte de reposição / Reserveonderdelen / Reservdelar / Reservedeler / Varaosat /
 Vraosat / Varahlutir / Ανταλλακτικά / Yedek Parçalar / Náhradní díly / Náhradné diely /
 Nadomestni deli / Резервни части / Запчасти / Części Zapasowe / Piese de schimb
 / Rendelhető alkatrészek / Запасні частини / Reservni delovi / Резервни делови /
 Резервни делови / Atsarginių dalių / Tellitavad varuosad / Rezervju daļi

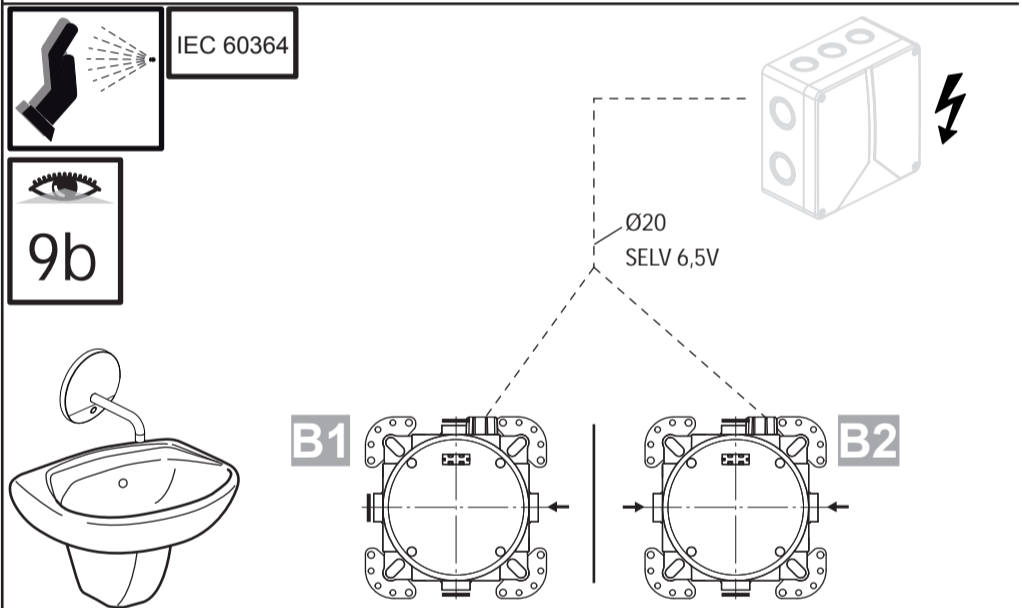


Position

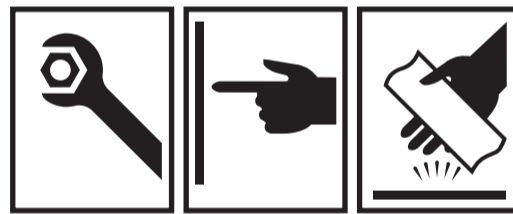
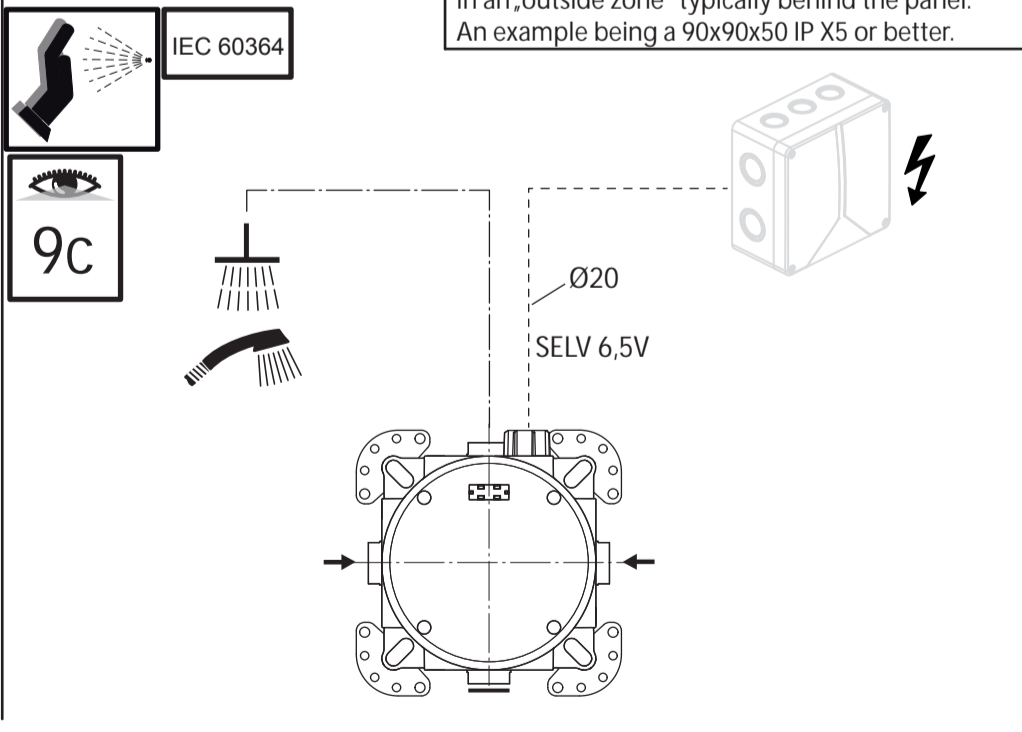
- 1 = A 963 131 NU
- 4 = A 963 132 NU
- 8 = A 963 143 NU
- 9 = A 963 146 NU
- 11 = A 861 328 NU
- 12 = A 963 132 NU



Conform to
IEE Regulations



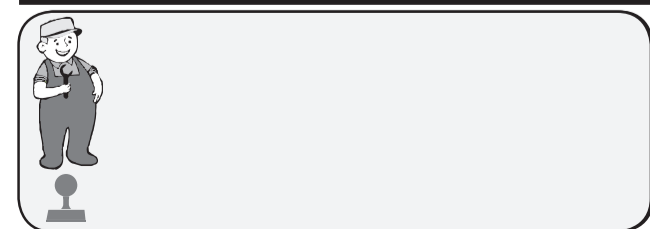
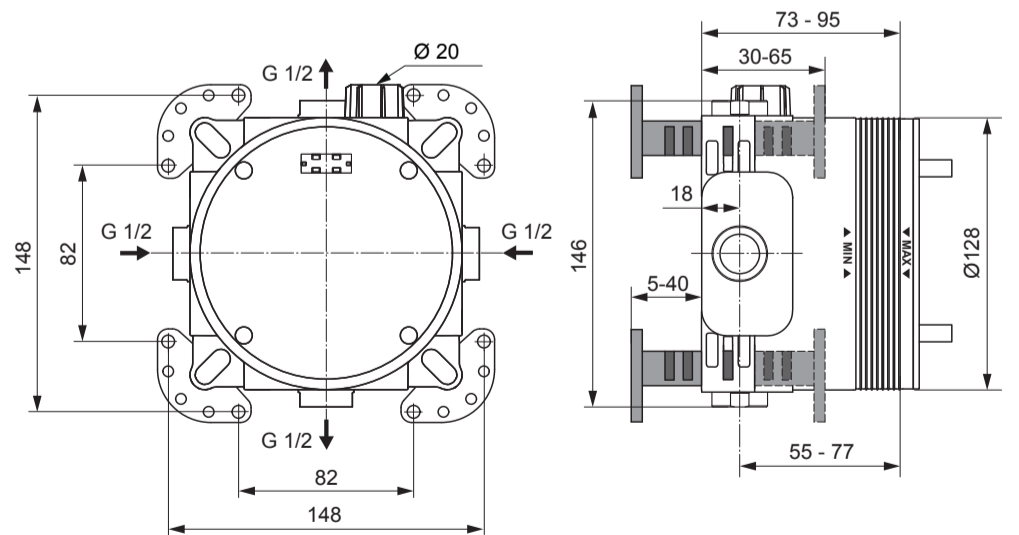
For compliance with IEE regulations
 Mount transformer in a junction / connection box
 in an „outside zone“ typically behind the panel.
 An example being a 90x90x50 IP X5 or better.



EASY BOX
A 1000 NU

*Armitage
Shanks*

0822/ A 866 935
Made in Germany



Ideal Standard International NV
 Corporate Village - Gent Building
 Da Vincilaan 2
 1935 Zaventem
 Belgium

www.idealstandardinternational.com

