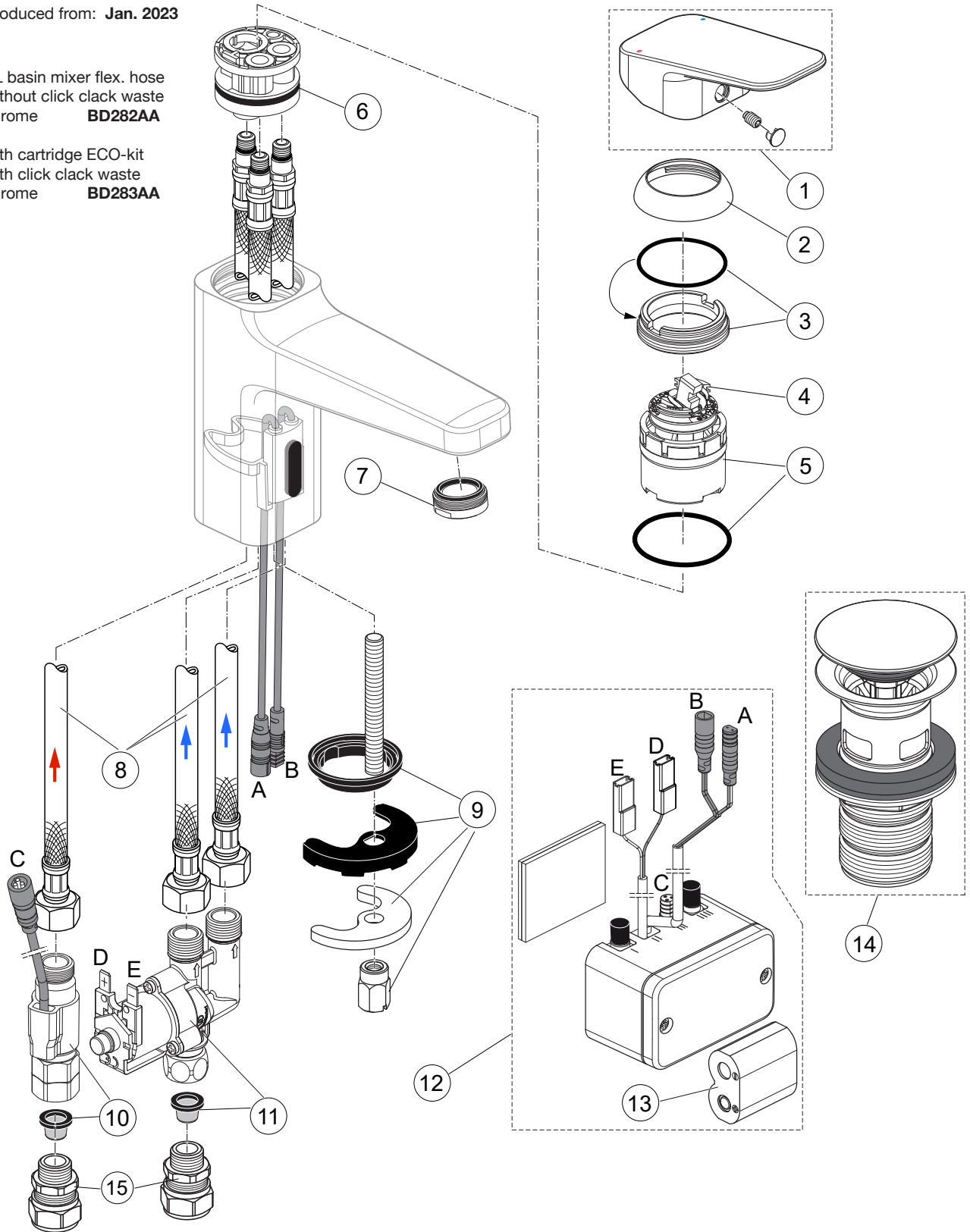


Produced from: Jan. 2023

SL basin mixer flex. hose
without click clack waste
chrome **BD282AA**

with cartridge ECO-kit
with click clack waste
chrome **BD283AA**



Replace XX with the appropriate finish code

Chrome = AA Silk black = XG

Example spare part order:

B 961 716 AA in Chrome

Pos.	Description	Part-Number	Qty.	Pos.	Description	Part-Number	Qty.
1	Handle cpl. with Logo	B 961 716 XX	1 Set	10	Flow sensor	A 861 636 NU	1 Set
2	Cover cap	B 961 438 XX	1 pcs	11	G3/8 Solenoidvalve w. bypass	A 861 637 NU	1 Set
3	Thread ring + O-Ring + Key	B 961 374 NU	1 Set	12	Control box	A 861 638 NU	1 Set
4	Hot limit stop	A 861 181 NU	1 pcs	13	Battery 6V CR-P2	A 960 161 NU	1 pcs
5	Cartridge Ø38 + Key	A 861 156 NU*	1 Set	14	Klick waste silk black	E 1482 XG	1 Set
6	O - Ring Ø 34 x 2	A 960 183 NU	1 pcs	15	Klick waste chrome	B 961 705 AA	1 Set
7	Aerator M24x1 - 5ltr/min	B 961 383 XX	1 pcs		Connector G3/8 D15	B 960 845 NU	2 pcs
8	Flex. hose M8x1-G3/8-425	A 962 370 NU	1 pcs				
9	Fixation kit	A 964 520 NU*	1 Set				

*Universal set (not all parts needed)