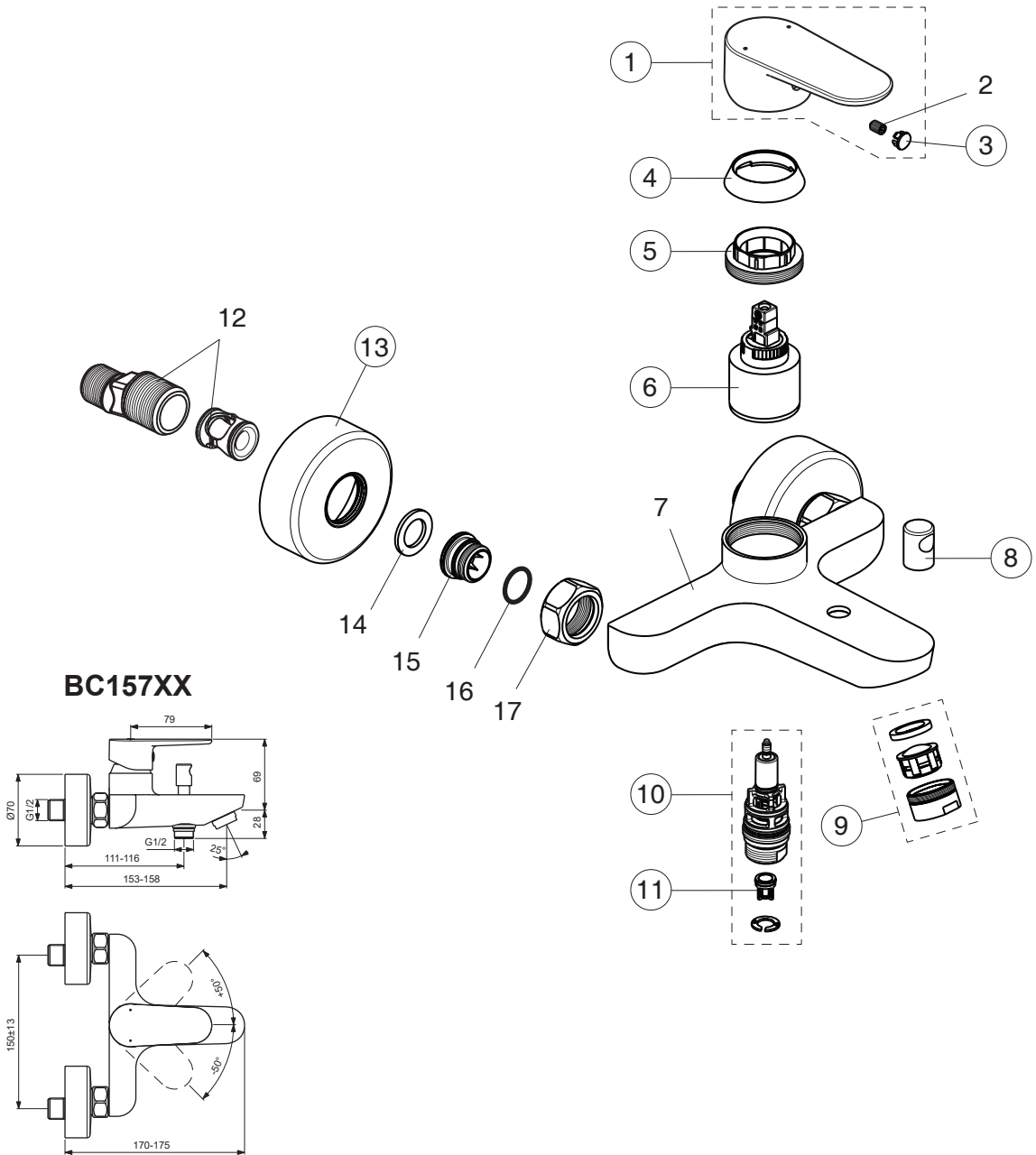


Produced from: August 2017-May 2021



**BC157XX**

**For XX=Coverage-Designate:**

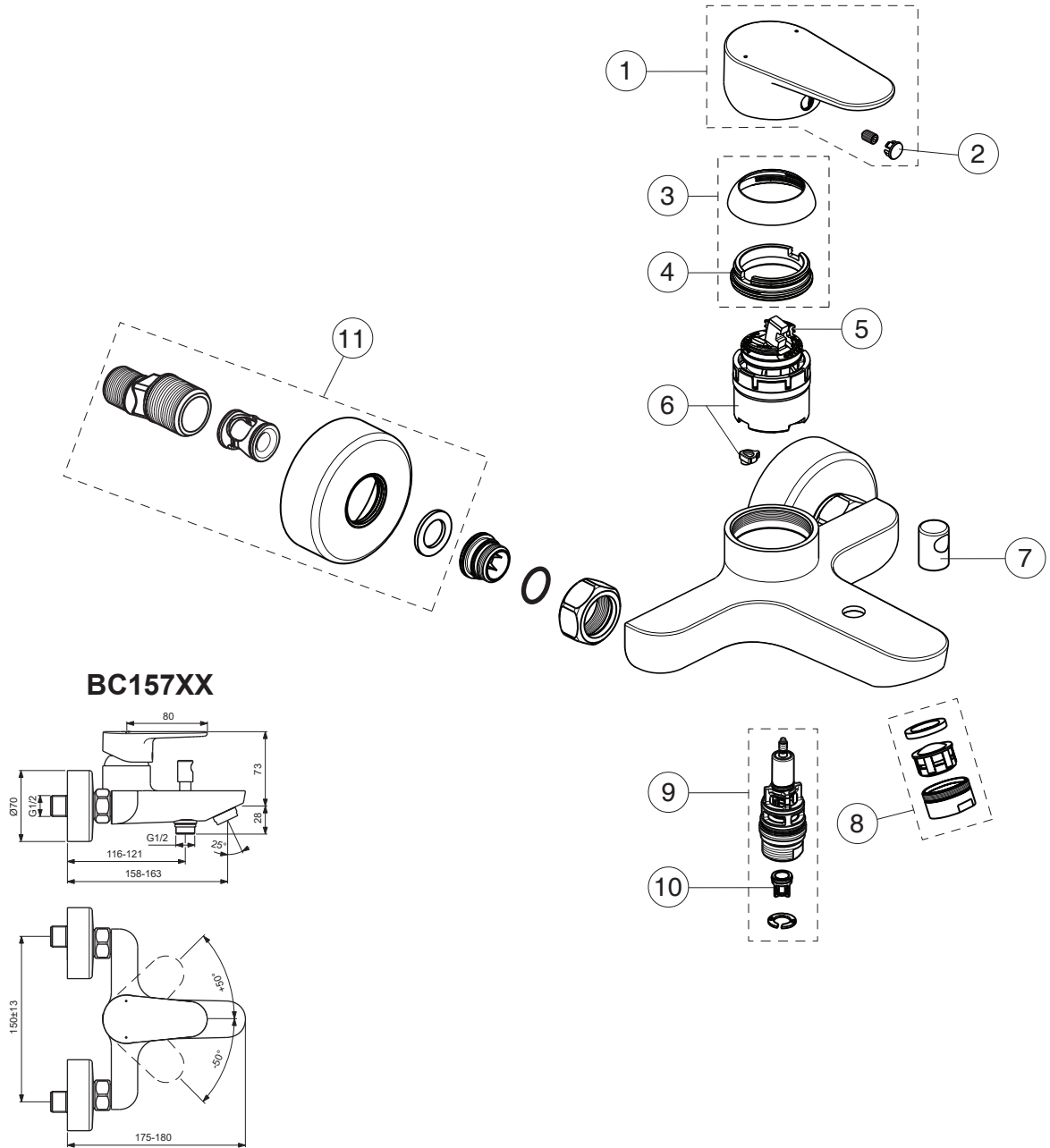
AA=chrome,HO=matt white/chrome  
HS=matt black/chrome

**For Instance:**

B961471AA for chrome

Pos.	Signify	Spare parts-Nr.	Quantity	Pos.	Signify	Spare parts-Nr.	Quantity
1	Lever,w/logo-compl.	B961471XX	1 Set	15	Nipple M19x1.5LH		2 Pcs.
2	Screw M5x8		1 Pcs.	16	O-Ring Ø15.6x1.78		2 Pcs.
3	Cap decorative	B964696NU	1 Pcs.	17	Coupling nut		2 Pcs.
4	Cap	B961473AA	1 Pcs.				
5	Screw M38x1.5	B961474NU	1 Pcs.				
6	Cartridge Ø35mm	B961477NU	1 Pcs.				
7	Body bath/shower		1 Pcs.				
8	Pull knob	B960486XX	1 Pcs.				
9	Neop.cascade M24x1-D	A960537XX	1 Pcs.				
10	Diverter automatic	B960167XX	1 Pcs.				
11	Rv-patrone	A960944NU	2 Pcs.				
12	S-connections		2 Pcs.				
13	Escutcheon	B960242XX	1 Pcs.				
14	Fiber ring Ø24x15x2		2 Pcs.				

Produced from: June 2021



**For XX=Coverage-Designate:**

AA=chrome, HO=matt white/chrome  
HS=matt black/chrome

**For Instance:**

B961649AA for chrome

Pos.	Signify	Spare parts-Nr.	Quantity	Pos.	Signify	Spare parts-Nr.	Quantity
1	Lever, w/logo-compl.	B961649XX	1 Set				
2	Cap decorative	B960473XX	1 Pcs.				
3	Cap and screw	B961661XX	1 Set				
4	Screw M38x1.5	B961374NU	1 Pcs.				
5	Hot limit stop	A861181NU	1 Pcs.				
6	Cartridge Ø38mm	A861156NU*	1 Set				
7	Pull knob	B960486XX	1 Pcs.				
8	Neop.cascade M24x1-D	A960537XX	1 Pcs.				
9	Diverter automatic	B960167XX	1 Pcs.				
10	Rv-patrone	A960944NU	2 Pcs.				
11	S-connection	B960241XX	1 Set				

\*Universal set (not all parts needed)