

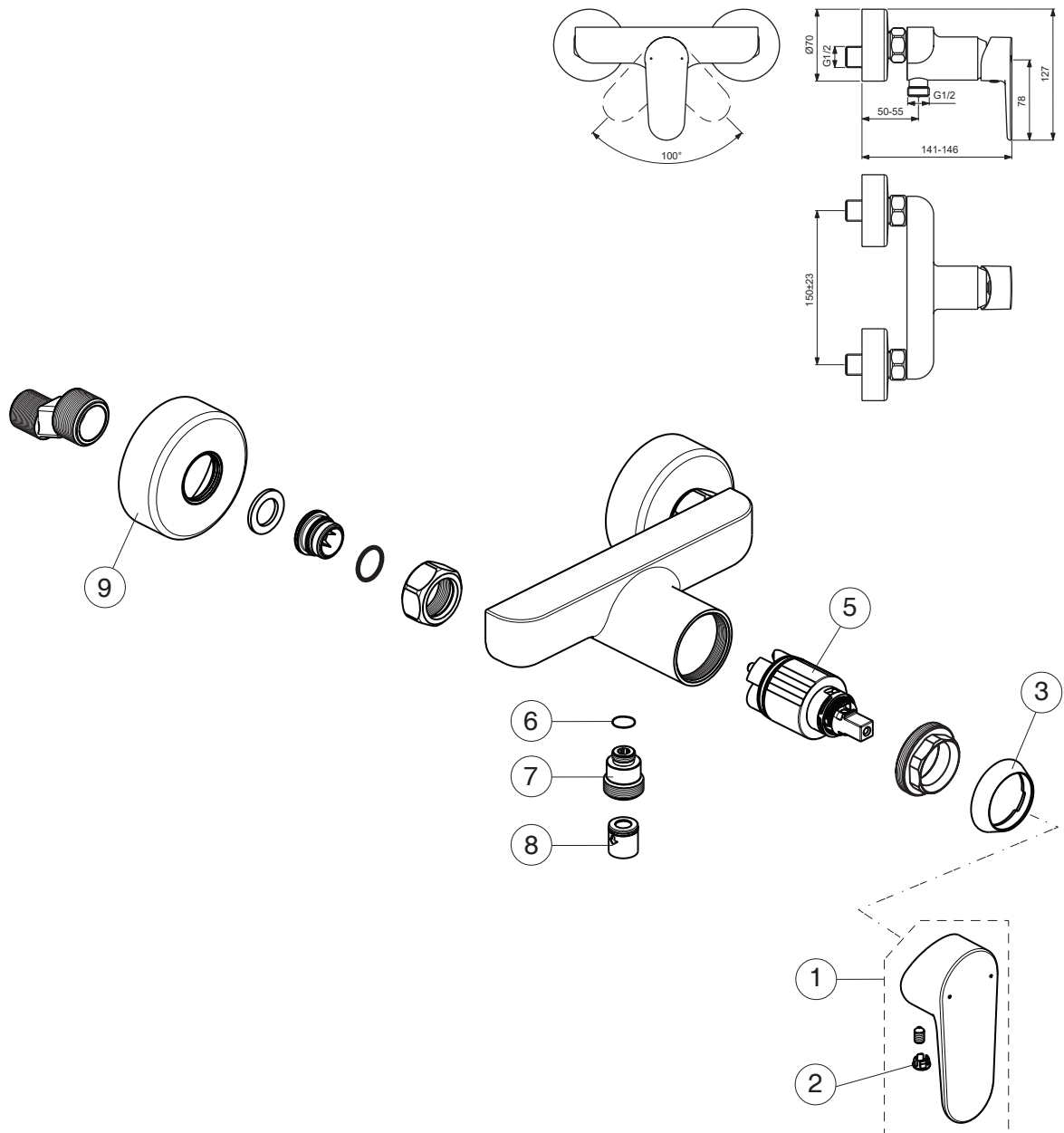


TYRIA

Ideal Standard

Produced from: August 2017-May 2021

BC156XX



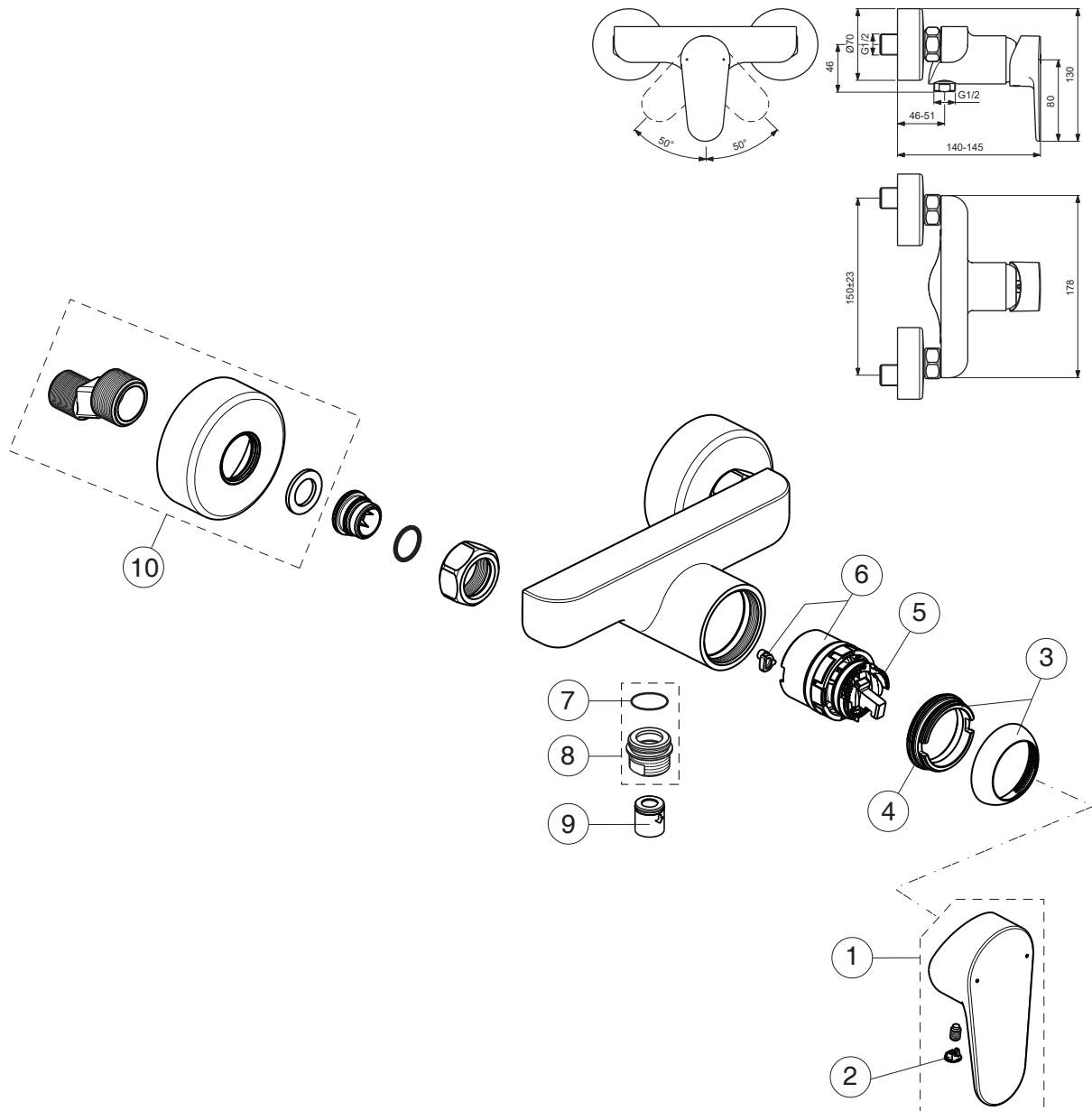
For XX=Coverage-Designate:
 AA=chrome,HO=matt white/chrome
 HS=matt black/chrome

For Instance:
 B961471AA for chrome

Pos.	Signify	Spare parts-Nr.	Quantity	Pos.	Signify	Spare parts-Nr.	Quantity
1	Lever ,w/logo-compl.	B961471XX	1 Set				
2	Cap decorative	B964696NU	1 Pcs.				
3	Cap	B961473AA	1 Pcs.				
4	Screw M38x1.5	B961474NU	1 Pcs.				
5	Cartridge Ø35mm	B961479NU	1 Pcs.				
6	O-Ring Ø10x1.5	B960645NU	1 Pcs.				
7	Nipple G1/2-M12x1	B960646XX	1 Pcs.				
8	Non return valve	B961346NU	1 Pcs.				
9	Escutcheon	B960242XX	1 Pcs.				

Produced from: June 2021

BC156XX



For XX=Coverage-Designate:
 AA=chrome,HO=matt white/chrome
 HS=matt black/chrome

For Instance:
 B961649AA for chrome

Pos.	Signify	Spare parts-Nr.	Quantity	Pos.	Signify	Spare parts-Nr.	Quantity
1	Lever ,w/logo-compl.	B961649XX	1 Set				
2	Cap decorative	B960473XX	1 Pcs.				
3	Cap and screw	B961661XX	1 Pcs.				
4	Screw M38x1.5	B961374NU	1 Pcs.				
5	Hot limit stop	A861181NU	1 Pcs.				
6	Cartridge Ø38mm	A861156NU*	1 Set				
7	O-Ring Ø18.2x1.7	A961640NU	2 Pcs.				
8	Nipple M22x1-G1/2	B964675XX	1 Set				
9	Non return valve	B961346NU	1 Pcs.				
10	S-connection	B960241XX	1 Set				

*Universal set (not all parts needed)