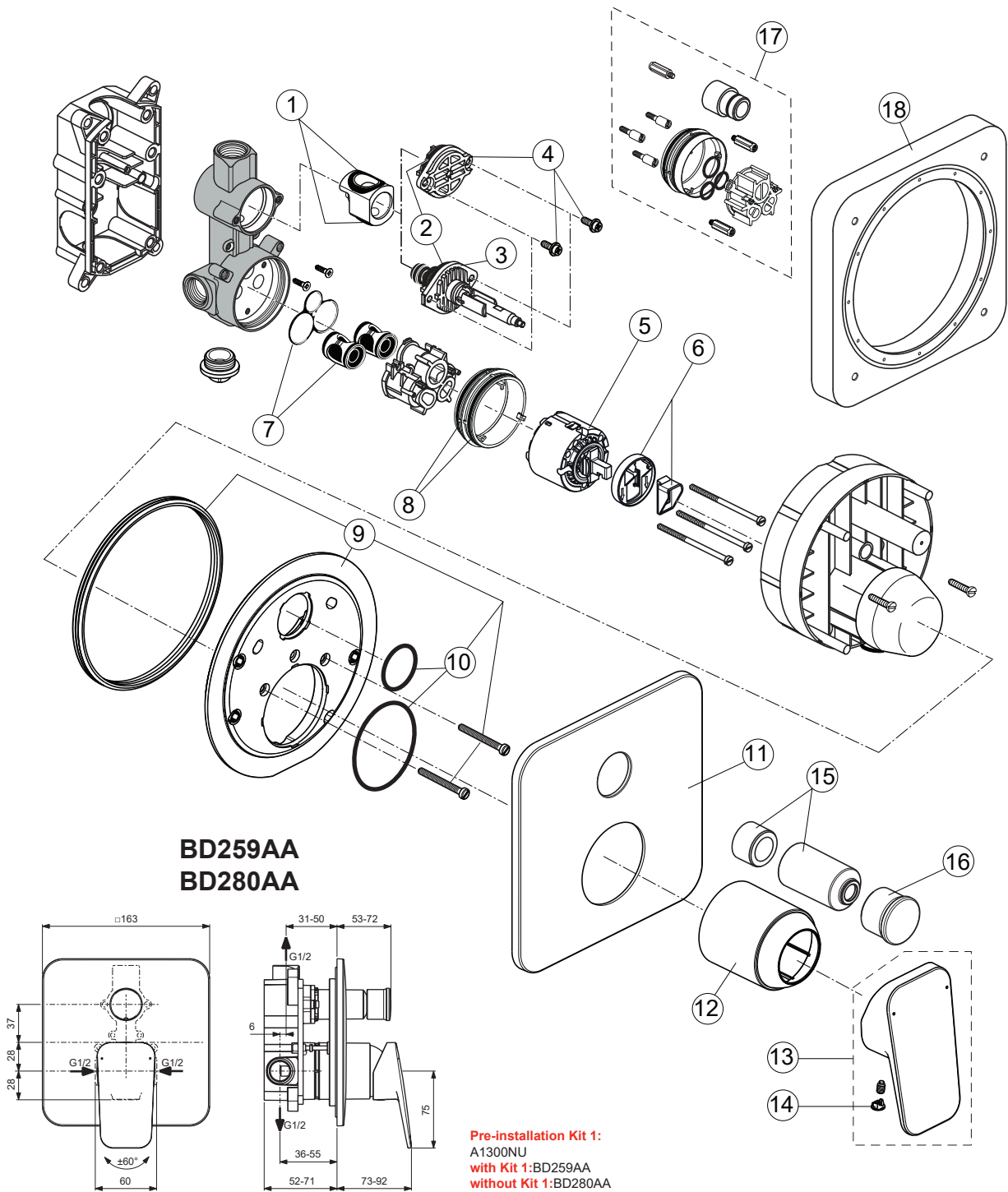




CERAPLAN

Ideal Standard



Pos.	Signify	Spare parts-Nr.	Quantity	Pos.	Signify	Spare parts-Nr.	Quantity
1	O-Ring	A963523NU	1 Set	15	Cover cap for diverter	A860902AA	1 Pcs.
2	O-Ring Ø28.3x1.78	A963925NU	1 Pcs.	16	Pull knob	A860901AA	1 Pcs.
3	Diverter-compl.	A963952NU	1 Set	17	Extension kit 20mm	A6679AA	1 Set
4	Cover-compl.	A963949NU	1 Set	18	Distance frame	A6678AA	1 Set
5+pos.6	Cartridge Ø47mm	A960500NU	1 Set				
6	Volume stop	A860700NU	1 Pcs.				
7	Low noise insert-compl.	A963954NU	1 Set				
8	O-Ring Ø47.3x1.78	A963526NU	2 Pcs.				
9	Escutcheon holder-compl.	A860899NU*	1 Set				
10	O-Ring	A961649NU*	1 Set				
11	Escutcheon shower	A860900AA	1 Pcs.				
12	Cap	B961732AA	1 Pcs.				
13	Lever,w/logo	B961723AA	1 Set				
14	Cap decorative	B960473AA	1 Pcs.				

*Universal set (not all parts needed)