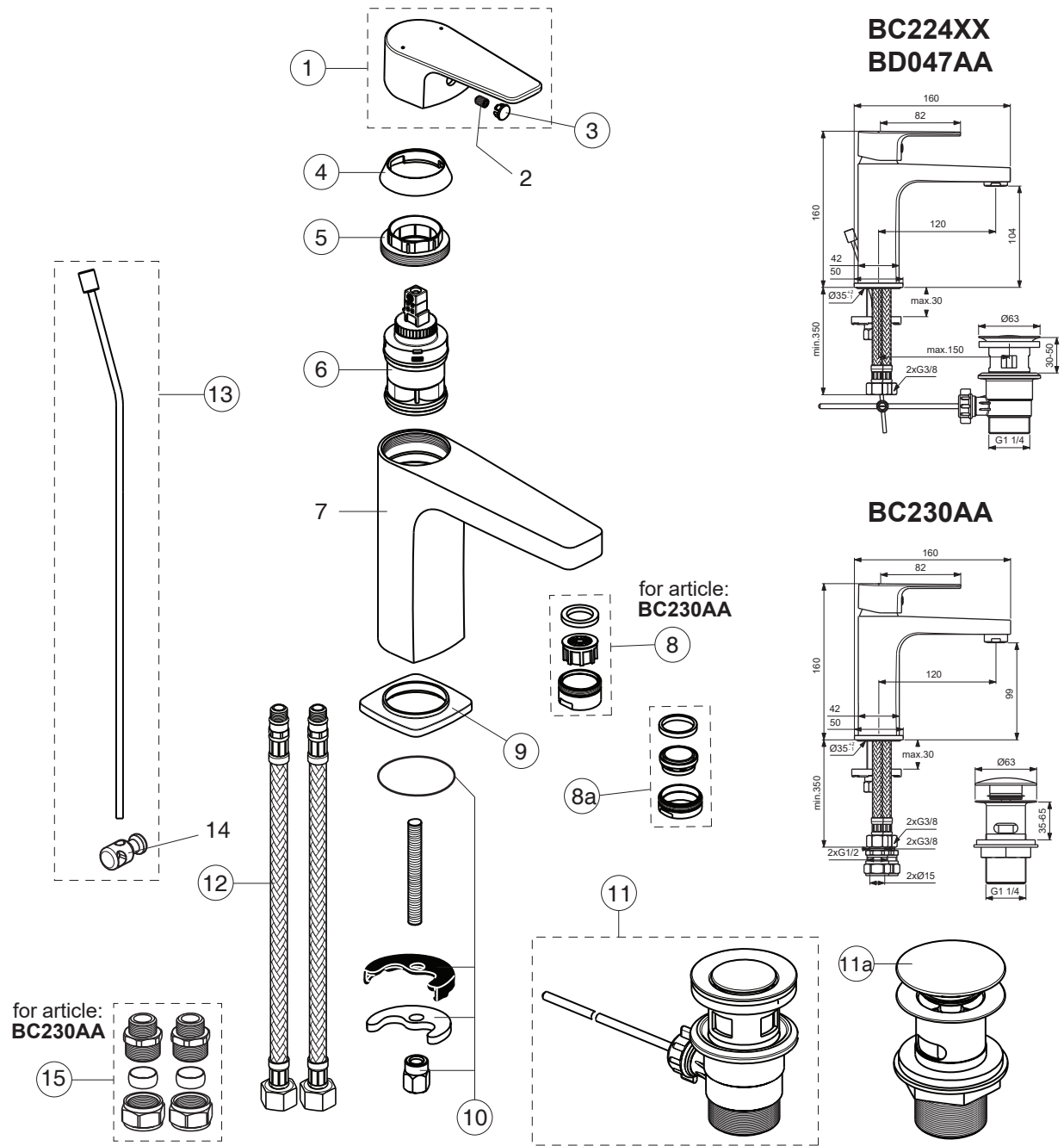




ESLA

Ideal Standard



**For XX=Coverage-Designate:**  
AA=chrome,U4=matt black RAL 9005/chrome

**For Instance:**  
B961652AA for chrome

Pos.	Signify	Spare parts-Nr.	Quantity	Pos.	Signify	Spare parts-Nr.	Quantity
1	Lever,w/logo-compl.	B961510XX	1 Set	13	Pop up waste-compl.	B961241XX	1 Pcs.
2	Screw M5x8		1 Pcs.	14	Pop up waste shackle		1 Pcs.
3	Cap decorative	B964696NU	1 Pcs.	15	Connector G3/8,Ø15-set	B960845NU	1 Set
4	Cap	B961473XX	1 Pcs.				
5	Screw M38x1.5	B961474NU	1 Pcs.				
6	Cartridge Ø35mm	B961475NU	1 Pcs.				
7	Body basin		1 Pcs.				
8	Nozzle	A961625XX	1 Pcs.				
8a	Perlator M24x1-A / 5l/min	B961383XX	1 Pcs.				
9	Rosette decorative	B961290XX	1 Pcs.				
10	Connecting set	B964551NU	1 Pcs.				
11	Pop-up waste-plastic	B964550XX	1 Pcs.				
11a	Click waste slotted	S8803XX	1 Pcs.				
12	Flex hose G3/8 /L445	A963600NU	1 Pcs.				